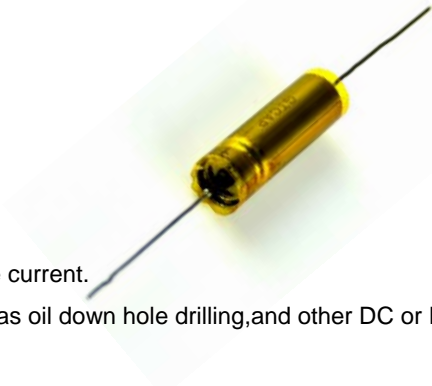




CA58B High-Temp Wet Tantalum Capacitor

All Tantalum Case for -55°C ~ +200°C operation

(hermetic seal)



1, Brief Introduction and Feature

- ◆ CA58B, All tantalum case, hermetic sealed, with high-temp insulation sleeve wet tantalum electrolytic capacitors.
- ◆ With polar, axial leads through hole. High reliability, long life, high ripple current.
- ◆ Widely used in electronic equipment for high-temp applications such as oil down hole drilling, and other DC or PC.
- ◆ Meet standard: QJ/PWV344-2011 Cross Vishay part 134D

2, General Characteristics

- ◆ Operating Temperature: -55°C ~ +200°C (>85°C with voltage derating);
- ◆ Storage temperature: -62°C ~ +130°C
- ◆ Capacitance Tolerance: K=±10%, M=±20%
- ◆ Case sizes, Dimensions and Max. weight: As shown in Table 1 and figure 1.
- ◆ Performance: See table 2

3, Drawing, Case Dimension and Max. weight

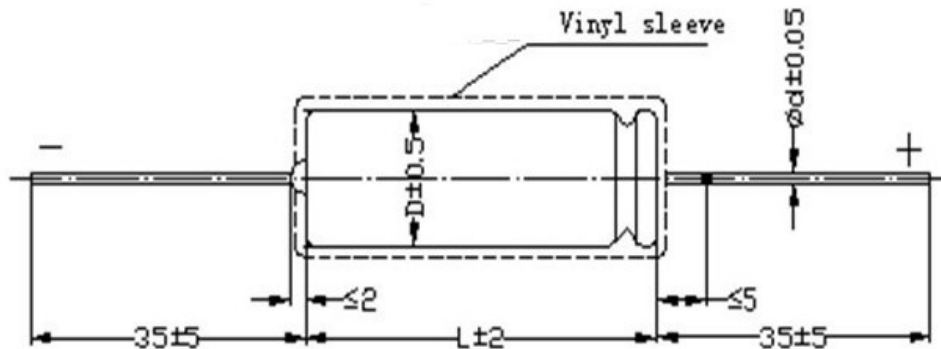


Table 1

Code	Max. weight (g)	Without sleeve		With sleeve	
		D±0.4 (mm)	L±0.8 (mm)	D±0.4 (mm)	L±0.8 (mm)
T1	3	4.78	11.51	5.56	12.30
T2	7	7.14	16.28	7.92	17.10
T3	12	9.52	19.46	10.31	20.20
T4	18	9.52	26.97	10.31	27.70



4, General Characteristics

Rated Voltage	Voltage Derating		Case size	Capacitance (μF)	DCL (μA)Max		Tgδ (%) 25°C	AC ripple 85°C 40kHz Max (μA)
	125°C	200°C			25°C	85°C 125°C		
			T2	220	2	10	28	2300
			T3	470	3	25	30	2650
			T4	680	5	40	38	2900
60	40	36	T1	47	1	5	20	1250
			T2	150	2	10	23	2050
			T3	390	3	25	25	2450
			T4	560	5	40	35	2700
75	50	45	T1	33	1	5	20	1100
			T2	110	2	10	25	1900
			T3	330	3	30	30	2300
			T4	470	5	50	40	2550
100	65	60	T1	15	1	5	15	950
			T2	68	2	10	20	1500
			T3	150	3	25	25	1800
			T4	220	5	50	25	2200
			T4	400	15	120	100	3250
125	85	75	T1	10	1	5	10	750
			T2	47	2	10	15	1450
			T2	50	3	10	15	1450
			T3	100	3	25	20	1700
			T4	150	5	50	20	1900

5,How to order

(GTCA58B 157 M 100 T3)

GT	CA58B	157	M	100	T3
Brand Name	Type	Capacitance	Tolerance	DC voltage	Case code
Green Tech	High-temp Wet Electrolytic Tantalum Capacitor	157: 15X10 ⁷ (pF)This is expressed in picofarads. The first two digits are the significant figures. The third is the number of zeros to follow.	K=±10% M=±20%	50V=050 60V=060 75V=075 100V=100 125V=125	See table 1

Notes:

- 1、Tantalum capacitors can't been measured by multimeter (Easily cause irreversible damage and lead to reject)
- 2、Capacitance, DF measure frequency: 100Hz, U_r=2.20 -1.0V, U_r=1.00 -0.5V(effective value), measure method is by series equivalent circuit.
- 3、Measure leakage current above 125°C,please use derated voltage. DLC read within 5 minute.
- 4、Special size and big capacitance products, please negotiate with us