



THC3W High Energy Tantalum Hybrid Capacitor (Hermetic sealed & Military standard)

Characteristics and Applications

- ◆ All tantalum case, hermetic sealed, Cylindrical, radial leads, Polar, with screws, convenient to fix
- ◆ This product is made up of tantalum capacitor and electrochemical capacitor
- ◆ Stable electric performance, high reliability, long life, large energy density per unit volume, Store much energy. Capacitance larger than THC2W.
- ◆ Used as battery in Energy conversion circuit and power pulse circuit, Perform Energy storage, filter, power-off delay in circuit.
- ◆ Standard: QJ/PWV358-2011

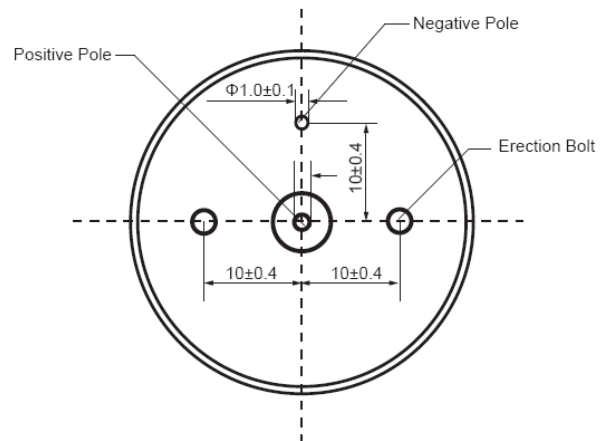
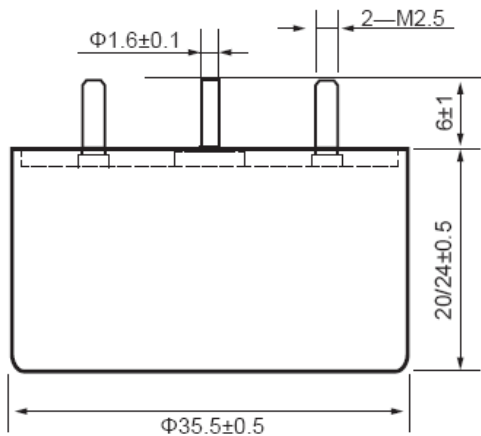
How to order: THC3W-10V200000μF-M: 100pcs

Technical Performance

- Temperature range: -55°C~+125°C (>125°C use derated voltage)
- Store environment temperature: -62°C~+130°C
- Capacitance tolerance: K=±10% M=±20%; Q=-10%~+30%
- Electric performance: see table1



Size and installation φ36*20/24 (mm)



THC3W φ36x20/24outline
Unit:mm



Table1 THC3W High Energy Tantalum Hybrid Capacitor's data and size: $\phi 36 \times 20/24$ (mm)

Rated Vol. (V)	Derated Vol. (V)	Surge Vol. (V)	Cap. (μF)	tg δ (%) 100HZ	ESR (Ω) 1KHZ	LC./ μA		R (Ω) -55 $^{\circ}C$	Cap. change (%)		Case size	Weight
						25 $^{\circ}C$	85 $^{\circ}C$ 125 $^{\circ}C$		-55 $^{\circ}C$	+85 $^{\circ}C$	DxH mm	Max. g
10	6	11	200000	190	0.025	400	1800	1	-80	+160	36x20	145
			230000								36x24	165
16	9.5	17.6	120000	170	0.025	400	1800	1	-80	+160	36x20	145
			140000								36x24	165
25	15	27.5	70000	140	0.025	400	1800	1	-75	+160	36x20	145
			86000								36x24	165
35	21	38.5	50000	100	0.025	400	1800	1	-70	+160	36x20	145
			60000								36x24	165
50	30	55	30000	75	0.025	400	1600	1.2	-60	+160	36x20	145
			32000								36x20	145
			33000								36x24	165
63	38	70	16000	55	0.035	400	1600	1.4	-50	+100	36x20	145
			18000								36x24	165
80	48	88	11000	45	0.035	500	2500	1.6	-40	+100	36x20	145
			13000								36x24	165
100	60	110	4800	40	0.035	500	2500	1.8	-30	+80	36x20	145
			6000								36x24	165
125	75	138	2200	35	0.050	500	2500	2.4	-20	+50	36x20	145
			2800								36x24	165

Notes:

- 1, Tantalum capacitors can't been measured by multimeter (Easily cause irreversible damage and lead to reject)
- 2, Capacitance, DF measure frequency: 100Hz,DC offset voltage $U=2.2^{0}_{-1.0}V$, Exchange offset voltage $U_{-}=1.0^{0}_{-0.5}V$ (effective value), measure method is by series equivalent circuit.
- 3, Measure the leakage current above 125 $^{\circ}C$,please use derated voltage. DLC read within 5 minute.
- 4, Special size and big capacitance products, please negotiate with us